

THE NEXT EVOLUTION FOR PACKED EQUIPMENT

Stabalizing Shafts, Conserving Water

ViseSeal solves two critical issues in rotating equipment sealed with packing: shaft movement and high water consumption. The innovative thermoplastic split-bearing design paired with our high-performance packing provide robust shaft support, reducing vibrations and enhancing equipment performance. Additionally, the ViseSeal system significantly reduces water usage, making your operations more efficient and sustainable.

WHY THE VISESEAL?

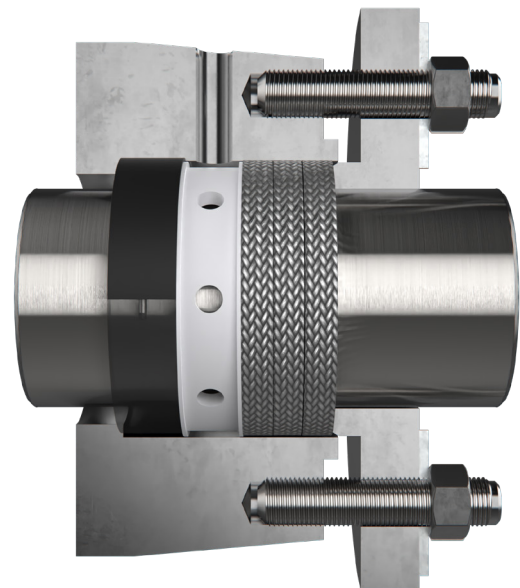
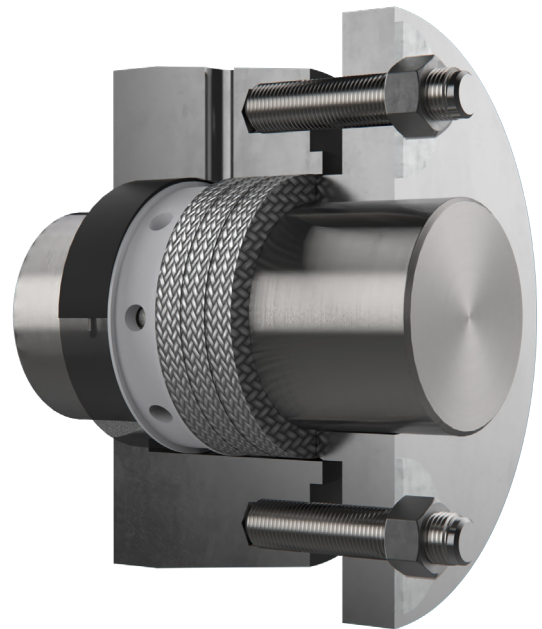
ViseSeal stands out for its superior shaft stabilization and unmatched water conservation. It not only enhances your equipment's performance by reducing vibrations, but also makes your operations more environmentally friendly and cost-effective by significantly reducing water usage. Plus, with its easy field repacking feature, ViseSeal ensures longer Mean Time Between Failures (MTBF) and less downtime.

Choose ViseSeal for a stable, sustainable, and efficient sealing solution.

KEY ADVANTAGES

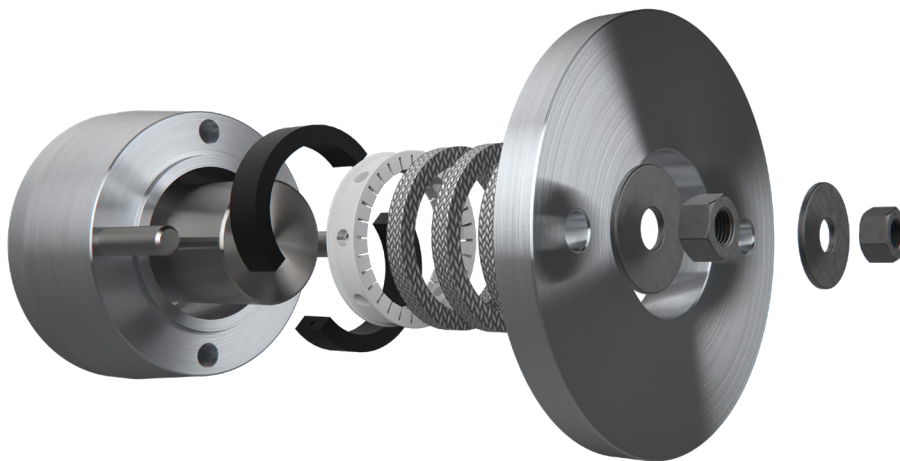
- Close-clearance machining brings stability and water-reduction to your equipment and seal.
- Shaft deflection minimized from cavitation and off-BEP operation.
- Compatible with most industrial chemicals.
- Stable up to 450°F (232°C).
- Throttle bushing helps prevent solids from entering seal chamber.
- Split and pinned bearing for easy installation and removal.
- High-performance packing rings can be die-formed for your box, significantly reducing the need for later adjustments.

VISESEAL



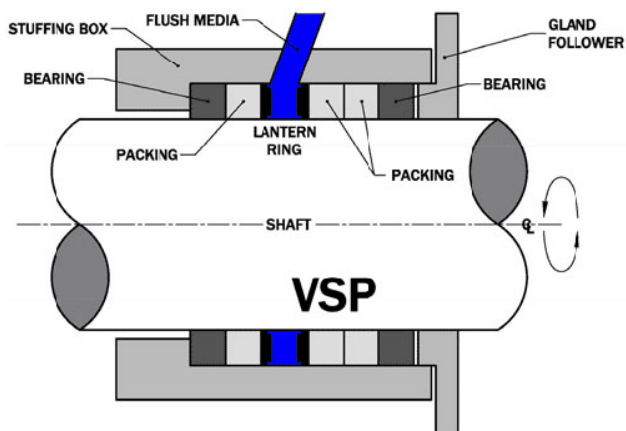
THE VISESEAL EXCELS IN SEALING THESE APPLICATIONS:

- **Pulp & Paper**
Raw Water, Cooling Water, Chemical Handling, Thick Stock (High Consistency), Medium Consistency Stock, Green Liquor, White Liquor, Black Liquor, Waste Water Treatment, Power House
- **Alumina Refining**
Bauxite Grinding Pumps, Caustic Cleaning Preparation, Digester Feed, Desilicator Discharge Pump, Seed Filtrate Pump, Coarse Seed Filter Feed Pumps, Seed Charge
- **Gold Mining**
Carbon In Leach Tails, Concentrate Transfer, Cyanide Transfer, Conditioning Tank feed, Decant Water, Saline Water, Tails Thickener feed
- **Hard Rock Mining**
Dewatering and pumping stations
- **Flue Gas Desulfurization (FGD)**
Limestone Recirculation/Scrubber Feed, Ash Pumps, Calcium Sulfate Slurry, Gypsum Slurry, Filtrate Return
- **Ore Mining**
Limes Pump, Concentrator Feed, Tailings and Booster pumps, Mineral sand slurry, Mineral sand concentrate
- **Synthetic Rutile Plant**
Slurry Transfer Pumps, Acidic Slurry Transfer Pumps
- **Pigment Plant**
Finished Slurry pump, Neutralization feed pump, Chlorine Compressors (GARO)
- **Industrial Processes**
Sugar beets, cement fiber board, diatomaceous earth
- **Aggregates**
Fines recovery, thickener/clarifier underflow, belt-press feed
- **Coal Prep/Washing**
Thickener Underflow, Thickener Overflow



VISESEAL

4 CONFIGURATION OPTIONS



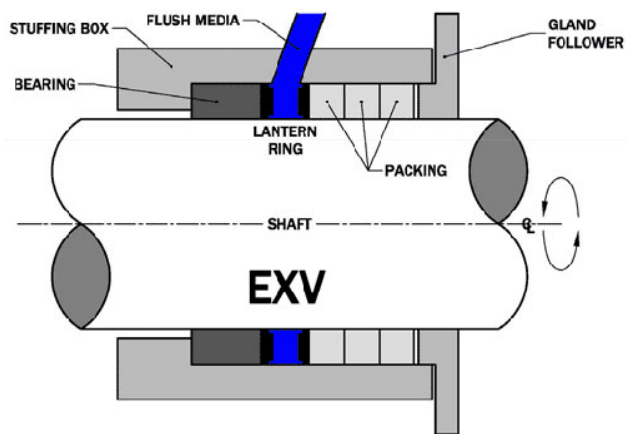
VISESEAL FOR PUMPS (VSP)

Features:

- Two split/pinned ViseSeal bearings separated by packing and a removable lantern ring.
- Die-formed rings of high-performance packings are compressed between the ViseSeal bearings.

Benefits:

The ViseSeal kits provide the following: reduced water consumption, shaft support, vibration dampening, shaft centering, eliminates packing extrusion, easy to maintain by removing the packing and lantern ring in the field for repacking, no pump removal for repack, reduced packing adjustments and longer MTBF.



VISESEAL EXTENDED (EXV)

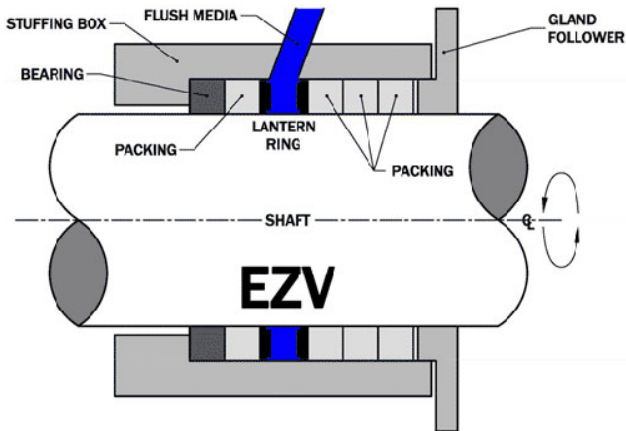
Features:

- A ViseSeal EXV kit contains a close tolerance ViseSeal bearing.
 - PTFE lantern ring.
- High-performance, die-formed packing rings.

Benefits:

- ViseSeal bearing protects soft packing from destructive shaft movement, vibration, and process interruptions.
- The lantern ring can be removed for easy repacking (no more need to remove equipment to repack pumps).
- Packing rings are free to seal without the need to support the shaft and deal with excessive shaft movement.
- Longer MTBF (Mean Time Between Failure), less sleeve wear, longer packing life, and fewer packing adjustments.

4 CONFIGURATION OPTIONS



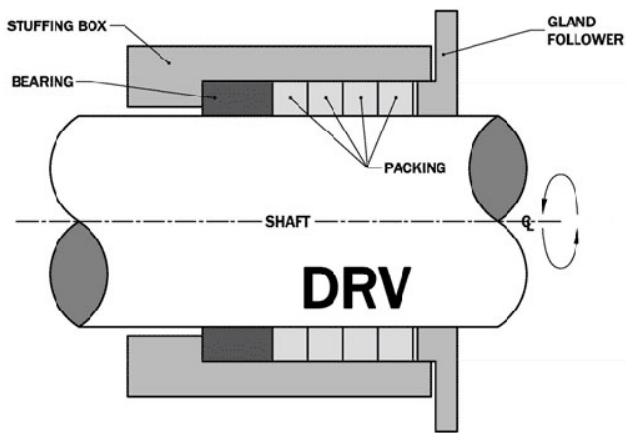
VISEAL EZ VISE (EZV)

Features:

- A ViseSeal EZV kit contains a close clearance ViseSeal bearing at the bottom of the stuffing box.
- Die-formed packing between the ViseSeal bearing and a PTFE lantern ring.
- High-performance die-formed packing rings outboard.

Benefits:

- ViseSeal bearing reduces shaft movement, minimizes vibration and closes clearances in stuffing boxes.
- Water consumption is reduced with packing ring on both sides of the lantern ring.
- Packing lasts longer with fewer adjustments.
- Field repack without the need to remove equipment.



VISEAL DRY VISE (DRV)

Features:

- One split/pinned ViseSeal bearing from the bottom of the box with rings of high-quality die-formed packing.

Benefits:

- No product dilution
- Shaft stabilization to protect packing.